

D

SPORTS AND CULTURE OF PEACE

19 BiCNP 
CATEGORIES



SPORTS AND CULTURE OF PEACE

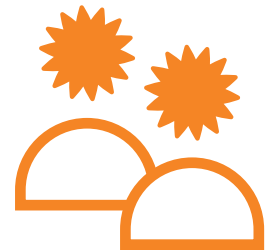
UNPUBLISHED POSTERS ART AND SPORTS AS CONTRIBUTORS TO A CULTURE OF PEACE
“ART AND CULTURE AS CONTRIBUTORS TO A CULTURE OF PEACE”

ORGANIZERS

Secretaría de Relaciones Exteriores • Secretaría de Cultura Federal a través del Instituto Nacional de Bellas Artes y Literatura • Gobierno de la CDMX a través de su Secretaría de Cultura • Universidad Nacional Autónoma de México (Coordinación de Difusión Cultural) • Universidad Autónoma Metropolitana (Coordinación de Difusión Cultural) • Museo Arocena de Torreón, Coahuila y Amnistía Internacional • Taiwán International Student Design Competition • Embajada de Estados Unidos de América.

1. Participation

- Professionals and students in design, photography, visual arts, communication, and related disciplines may participate.
- No restrictions on age, gender, or nationality.
- Unpublished works, created expressly for this category (not previously published or entered in competitions before the award ceremony).

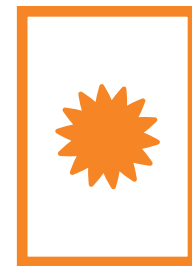


2. Thematic Focus

Posters should promote positive messages that present sports as a space for coexistence, collaboration, and teamwork in favor of a culture of peace.

They may explore topics such as:

- Equality and respect in sports practice
- Inclusion of diverse communities in sports
- Sports as a tool for violence prevention
- Physical activity for health and collective well-being
- Games and competitions as symbols of cooperation



Inspiration: <https://culturaunam.mx/mandela/>
<https://www.fifafoundation.org/>
<https://peaceplayers.org/>

3. Poster Registration

Registration will be open from January 31 to April 30, 2026

www.bienalcartel.org

- Each participant may submit up to 4 individual posters or 4 poster series per category.
- Each work must be registered digitally on the website, following the system instructions.

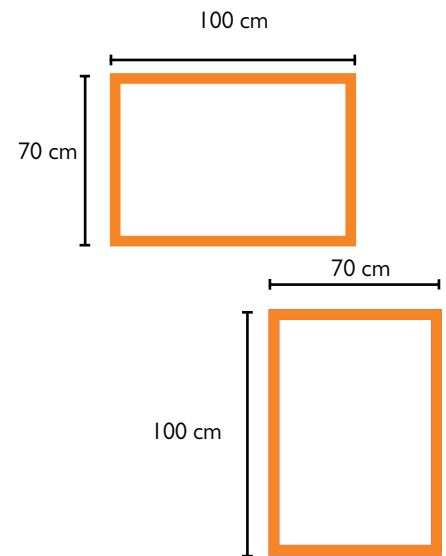


4. Format and techniques

- Techniques and formats: free
- All works will become part of the BICM archive

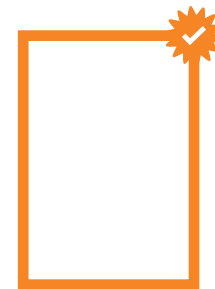
TECHNICAL SPECIFICATIONS FOR FILE SUBMISSION

- Digital files in high resolution
- Size: 70 x 100 cm (vertical) or 100 x 70 cm (horizontal)
- Resolution: 300 dpi
- Color: CMYK
- Format: JPG
- It is recommended to optimize files before uploading



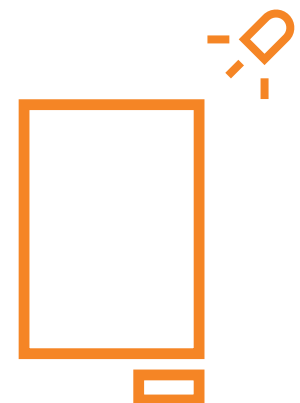
5. Printing of Selected Works

- If selected, a fee of \$20 USD per poster must be paid to cover printing costs and participation in the finalists' exhibition. Each author will be notified accordingly.
- Participants may donate additional copies for auctions to support the Biennial's funding.
- Submission deadline: April 30, 2026, 11:59 p.m.



6. Selection and exhibition

- Selected posters will be part of the finalists' exhibition of the 19th BICM.
- The first copy will be printed using HP technology for exhibition in October 2026.
- The Biennial will disseminate the selected works in catalogs, promotional materials, print, and digital media, non-profit and always crediting authorship.
- Selected posters will also be submitted to the Taiwan International Student Design Competition.



7. Results and Jury

Publication of selected works

July 30, 2026, on the BICM website and social media

On-site evaluation

Third week of October 2026 (international jury)

Award ceremony and opening

Third week of October 2026

The jury's decision is final; it may grant honorable mentions or declare prizes void.



8. Awards

- 1st place: Gold medal + diploma
- 2nd place: Silver medal + diploma
- 3rd place: Bronze medal + diploma
- Honorable mentions: at the jury's discretion.
- Additional prizes (monetary or in kind) will be announced on January 31, 2026.



9. Rights and Archive

- The BICM will be authorized to reproduce participating posters in catalogs, exhibitions, digital and promotional media, on a non-profit basis, always crediting the author indefinitely.
- All printed works will become part of the BICM archive, and selected posters will be preserved at Casa Cartel (UASLP).



10. Benefits for selected participants

- 30% discount on the purchase of the 19th BICM catalogs.
- 15% discount across the entire online store.
- Priority registration for workshops and conferences of the design congress.
- Free access to the Closing Party of the 19th BICM.



11. Special Considerations

- Posters containing offensive images against ethics, the culture of any country, or lascivious content affecting public spaces will be disqualified.

Participants are invited to include:

- Augmented reality versions.
- Explanatory videos about their creative process (up to 2 minutes, horizontal, MP4 format).

